



Features

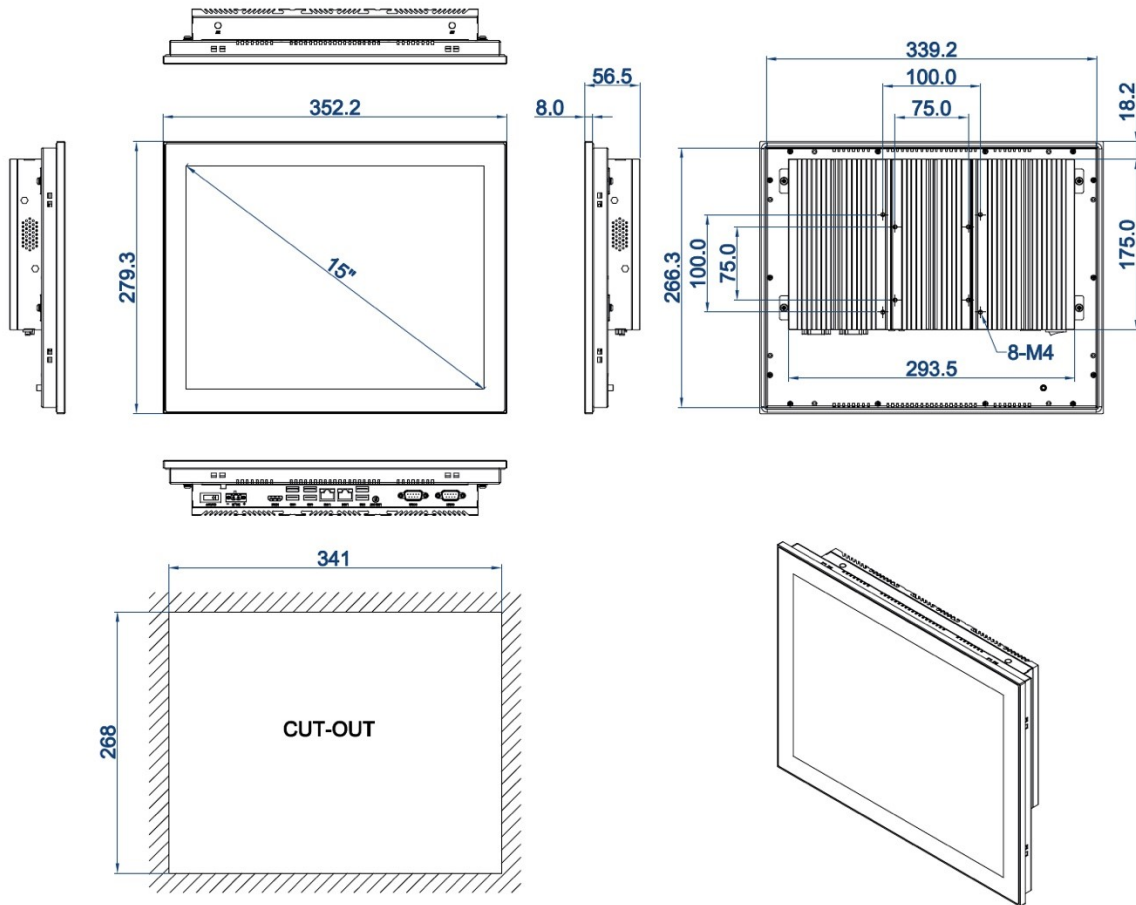
- 15.0" TFT LCD display, LED Backlit, XGA 1024 * 768;
- Intel 8th-gen. Whiskey Lake Celeron, Core i3/i5/i7 processor;
- Multi-points (Max. up to 10 points) Projective capacitive touch, EETI controller;
- Aluminum-magnesium alloy, anodized treatment, Modular designed;
- DC 9~24V, with over-current, over-voltage and polarity protection;
- 2*GLAN, 4*USB3.0, 2*USB2.0, 2*COM, 1*HDMI, Mic-in/Line-out;
- Fan-less & Slim design, Panel mount, VESA, Front IP65 protection.

Specification

Hardware & System	BIOS	SPI AMI EEI BIOS
	CPU	Intel 8 th -gen. Whiskey Lake Celeron 4305U, Core i3-8145U, Core i5-8265U, Core i7-8656U
	Memory	SO-DIMM, DDR4, max. up to 16GB
	Storage	1* 2.5" SATA + 1* mSATA
	Graphic	Intel UHD Graphics 620
	Network	2* Intel I211AT (Optional 3G/4G/Wi-Fi)
	Audio	On-board Realtek ACL 269 audio controller
	Expansion	1* Full size Mini-PCIe slot
	Watch dog	0~256 seconds programmable
	OS	Win10, Linux
IO interface	COM	2*RS232 (Support 1x RS485)
	Ethernet	2* RJ45, 10/100/1000 Mbps
	Audio	Mic in/Line out
	USB	4x USB3.0, 2x USB2.0
	Display	1x HDMI
	Power	1x 2 pins, phenix terminal
LCD Display	Size/Type	15.0" TFT LCD
	Resolution	1024 * 768 (XGA)
	Brightness	350 nits
	Backlit & MTBF	LED backlit & 50 000hours
	Display area	304.128 * 228.096
	View angle	80/80/80/80
Touchscreen	Type	Projective capacitive touchscreen
	Touch points	Multi points touch, max. up to 10 points
	Durability	>100 000 000 times
	Surface hardness	Mohs 6H
	Special treatment	Anti-fingerprint (AF)
Structure	Structure and surface	Magnesium-Aluminum alloy, sand blasting, anodized treatment
	Mount method	Panel mount, VESA 75/100
	Cooling system	Large area finned heat sink
	Overall dimension	352.2 * 279.3 * 56.5 (mm)
	Cut-out dimension	341 * 268 (mm)
	Net weight	3.9 KG
	IP protection	Front Panel IP65
Power & Environmental	Operating temp.	-20 ~ +60°C
	Storage temp.	-30 ~ +80°C
	Relative Humidity	10 ~ 95% @ 10C (Non-condensation)
	Vibration	50 ~ 500 Hz, 1.5G, 0.15mm peak to peak
	Shock	10G/Peak (11 ms)
	Power input	DC 9~24V
	Power consumption	Around 40W
	EMC	CE/FCC Class A

DIMENSIONAL DRAWING:TPC-DCM150W

Dimension



DIMENSIONS IN MILLIMETERS

TAICEM
 DATE:2019.11.26
 REV:A Unit:mm

Ordering info.

Part no.	Description
TPC-DCM150W0	15.0", 1024 * 768, Celeron 4305U, Dual-core 2.2Ghz, Pcap. touch, 2*GLAN, 6*USB, 2*COM, 1*HDMI, Mic-in/Line-out, DC 9~24V
TPC-DCM150W1	15.0", 1024 * 768, Core i3-8145U, Dual-core 2.1Ghz-3.9Ghz, Pcap. touch, 2*GLAN, 6*USB, 2*COM, 1*HDMI, Mic-in/Line-out, DC 9~24V
TPC-DCM150W2	15.0", 1024 * 768, Core i5-8265U, Quad-core 1.6Ghz-3.9Ghz, Pcap. touch, 2*GLAN, 6*USB, 2*COM, 1*HDMI, Mic-in/Line-out, DC 9~24V
TPC-DCM150W3	15.0", 1024 * 768, Core i7-8565U, Quad-core 1.8Ghz-4.6Ghz, Pcap. touch, 2*GLAN, 6*USB, 2*COM, 1*HDMI, Mic-in/Line-out, DC 9~24V
TDDR4-4/8/16GB1	Memory: SO-DIMM, DDR4, 4GB/8GB/16GB Memory
TMSATA-32/64/128/256/512GB1	mSATA SSD: 32GB/64GB/128GB/256GB/512GB
T25SAS-256/512GB1	2.5" SATA SSD: 256GB/512GB
T25SAH-1T/2T/4TB1	2.5" HDD: 1TB/2TB/4TB
TWM-WIFIA1	Wi-Fi module, with Antenna
TWM-WIFIBT1	Wi-Fi with BT integrated module, with Antenna
TWM-4GA1	All network 4G/LTE module, With Antenna
TS-2W2MS	2 * 2W Mini Speaker

Packing List

■	1x Standard Product
■	1x 60W PSU (Power Supply)
■	1x Power cable & Plug
■	8x Panel mount metal clips